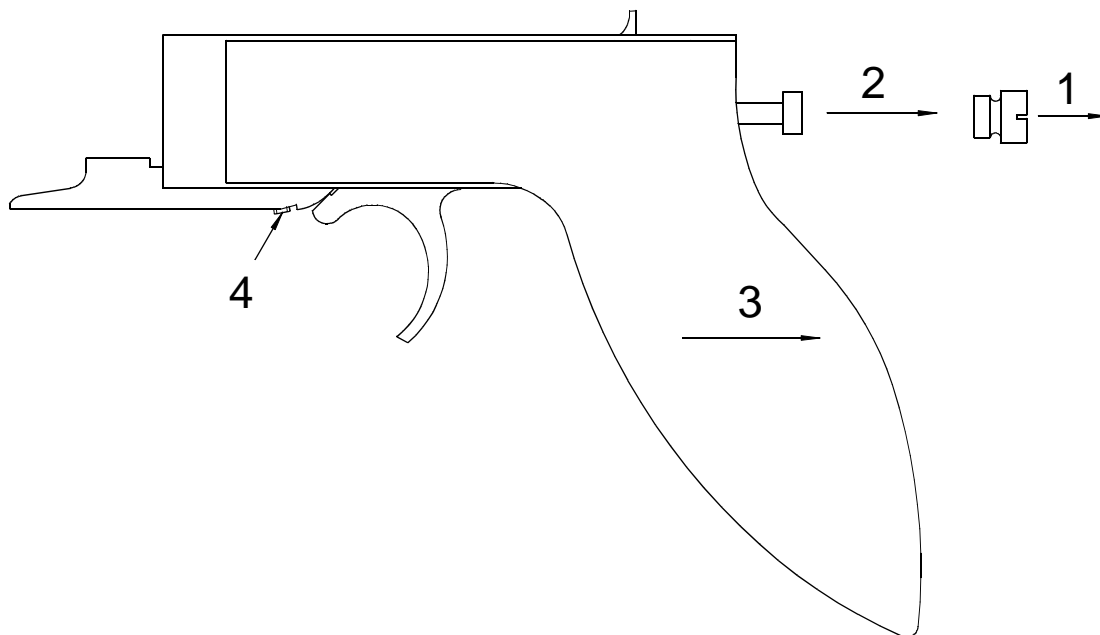


Tilo Dedinski  
Heugasse 10  
Germany - 95326 Kulmbach  
Phone +49 9221- 66782  
www.dedinski.com



Anfertigung individueller  
Vorderladerwaffen für  
den gehobenen Anspruch

### instructions for dismantling underhammer pistol Davis



#### **Dismantle the grip:**

To dismantle the grip, remove screw 1 and then screw 2. Now the grip can be pulled off to the rear (3).

#### **Adjusting the detent overlap:**

Adjust screw 4 so that the trigger just holds (on the last edge, so to speak). Then turn this screw clockwise about 1/12 of a turn to ensure that the trigger releases dry and holds securely.

If you turn this screw too far, the trigger will creep.

#### **Adjusting the trigger weight:**

In order to be able to adjust the trigger weight, it is necessary to dismantle the grip as described above.

To do this, the spring (spring wire), which presses against the hammer spring from below, must be bent slightly towards it so that it presses more strongly against the hammer spring. To do this, the trigger must be removed.

The trigger resistance can be reduced by bending the spring away from the hammer spring.

**Please note that bending should only be done in small steps. Bending back and forth several times can cause the spring to break!**